

S-335.Xx Mirror Centering Aids for the S-335

3-D Printed PI Equipment for Gluing Mirrors Yourself



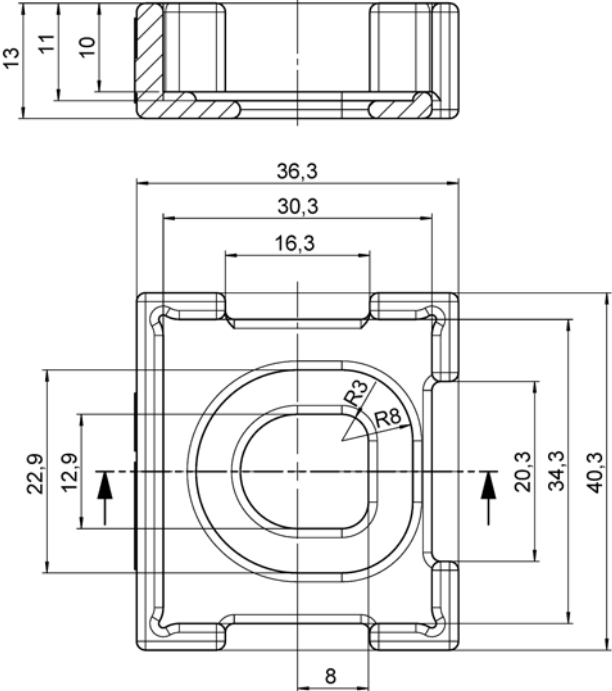
S-335.Xx

- Center 0.5" mirrors and 1.0" mirrors reliably
- 3-D printed component, made of thermoplastic resin (ABS)
- Inexpensive and also easy to use

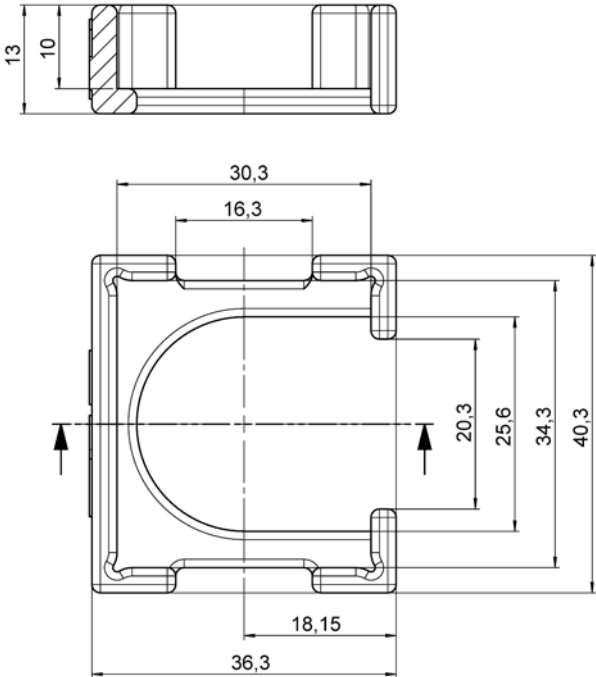
Accessory for S-335 piezo tip/tilt platforms

Centering aids can be used for gluing a mirror onto models from the S-335 series supplied without mirrors. The centering aid holds the mirror at the desired position during gluing.

Drawings / Images



S-335.X1



S-335.X2

Ordering Information

S-335.X1

Centering aid for mirror mounting, for the S-335 tip/tilt platform with 0.5" mirror (\varnothing 12.5 mm)

S-335.X2

Centering aid for mirror mounting, for the S-335 tip/tilt platform with 1.0" mirror (\varnothing 25.4 mm)