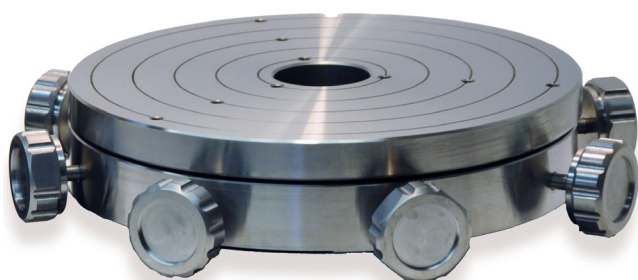


PIglide Manual X-Y-Tilt Platform

Compatible with A-60x and A-62x

A-60x.MTT

- Motion platform diameter 75 to 300 mm
- Manual operation
- 4 degrees of freedom: X, Y, θ_x , θ_y
- Clear aperture
- Can be mounted directly onto an A-60x and A-62x

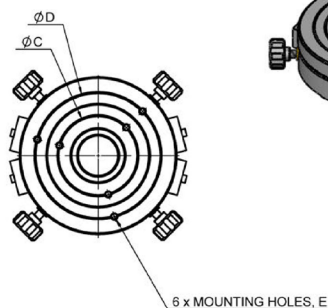
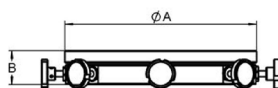
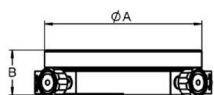


Specifications

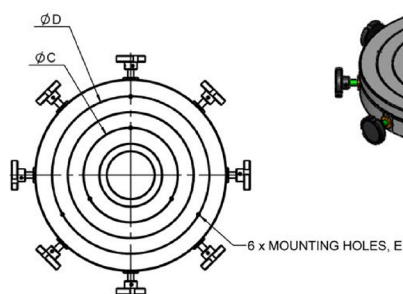
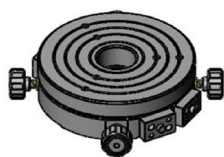
Model	Motion platform diameter /mm	Travel range X,Y	Travel range θ_x , θ_y	Overall mass /kg	Moment of inertia /kg·mm ²
A-602.MTT	75	±1.5 mm	±1.25°	0.8	620
A-603.MTT	100	±1.5 mm	±1.25°	1.5	2090
A-604.MTT	150	±3 mm	±1.25°	4	12900
A-605.MTT	200	±3 mm	±1.25°	8.6	52100
A-607.MTT	300	±3 mm	±1.25°	25	319000

Model	Motion platform diameter /mm	Compatible with A-60x	Compatible with A-62x
A-602.MTT	75	A-602.xxx	
A-603.MTT	100	A-603.xxx	A-623.xxx
A-604.MTT	150	A-604.xxx	A-624.xxx
A-605.MTT	200	A-605.xxx	
A-607.MTT	300	A-607.xxx	A-627.xxx

Drawings and Images



A-602 / A-603



A-604 through A-607



Model	A	B	C	D	E
A-602.MTT	75	25	30	50	M3x0.5, 6 DEEP
A-603.MTT	100	30	50	75	M4x0.7, 8 DEEP
A-604.MTT	150	35	75	125	M5x0.8, 10 DEEP
A-605.MTT	200	45	100	150	M6x1.0, 12 DEEP
A-607.MTT	300	55	150	250	M6x1.0, 12 DEEP

A-60x.MTT, dimensions in mm

Ordering information

A-602.MTT

Manual XY-Tilt Platform, 75 mm Motion platform diameter

A-603.MTT

Manual XY-Tilt Platform, 100 mm Motion platform diameter

A-604.MTT

Manual XY-Tilt Platform, 150 mm Motion platform diameter

A-605.MTT

Manual XY-Tilt Platform, 200 mm Motion platform diameter

A-607.MTT

Manual XY-Tilt Platform, 300 mm Motion platform diameter