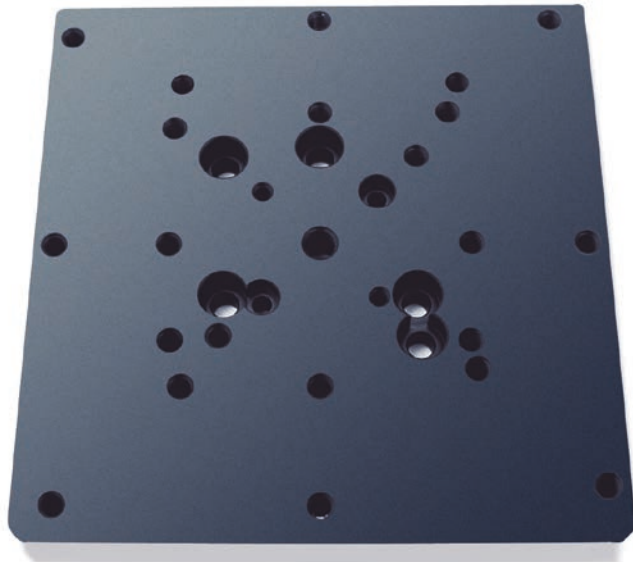


Accessories

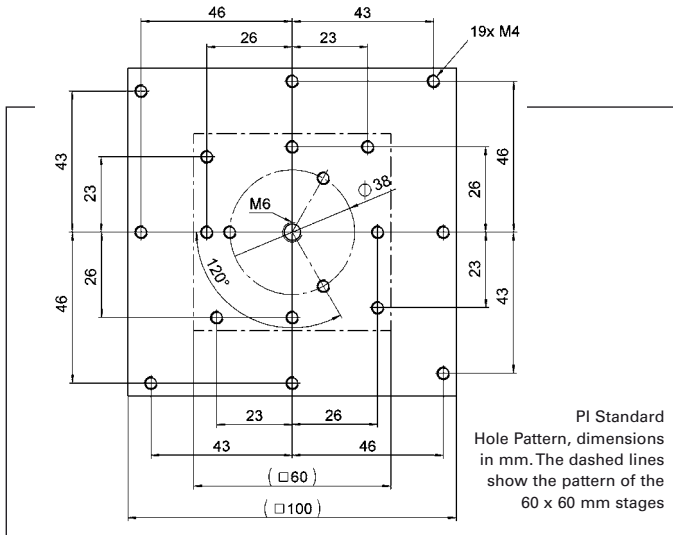


Accessories

Mounting Adapters for Micropositioning

The following table gives an overview of all possible combinations of PI linear, rotary and tilt stages. Select the positioner to be mounted on top from the left column and the supporting positioner from the top row.

	Bottom	M-060*	M-105, M-106	M-110	M-111	M-112	M-122	M-126
<i>Orientation</i>								
M-060*	horizontal	x	x	x	x	x	x	x
M-060*	vertical	x	x	x	x	x	x	x
M-105, M-106	horizontal	M-105.AP	n/r	x	x	x	x	M-105.AP
M-105, M-106	vertical	M-009.30 + M-009.10	M-009.10 M-105.VB1	x	x	x	x	M-009.30 + M-009.10
M-110	horizontal	M-110.01	x	n/r	n/r	n/r	n/r	M-110.01
M-110	vertical	x	x	M-110.02	M-110.02	M-110.02	M-110.02	x
M-111	horizontal	M-110.01	x	n/r	n/r	n/r	n/r	M-110.01
M-111	vertical	x	x	M-110.03	M-110.03	M-110.03	M-110.03	x
M-112	horizontal	M-110.01	x	n/r	n/r	n/r	n/r	M-110.01
M-112	vertical	x	x	M-110.04	M-110.04	M-110.04	M-110.04	x
M-116	horizontal	x	x	n/r	n/r	n/r	n/r	M-110.01
M-116	vertical	x	x	x	x	x	x	x
M-122	horizontal	M-110.01	x	n/r	n/r	n/r	n/r	M-110.01
M-122	vertical	x	x	M-122.AP1	M-122.AP1	M-122.AP1	M-122.AP1	x
M-126	horizontal	M-105.AP	M-105.AP	x	x	x	x	n/r
M-126	vertical	M-125.90 + M-105.AP	M-125.90 + M-105.AP	x	x	x	x	M-125.90
M-403, M-404	horizontal	x	x	x	x	x	x	x
M-403, M-404	vertical	x	x	x	x	x	x	x
M-406	horizontal	x	x	x	x	x	x	x
M-406	vertical	x	x	x	x	x	x	x
M-413, M-414, M-417	horizontal	x	x	x	x	x	x	x
M-413, M-414, M-417	vertical	x	x	x	x	x	x	x
M-511, M-521, M-531	horizontal	x	x	x	x	x	x	x
M-511, M-521, M-531	vertical	x	x	x	x	x	x	x
M-605	horizontal	x	x	x	x	x	x	x
M-605	vertical	x	x	x	x	x	x	x



M-403, M-404	M-406	M-413, M-414, M-417	M-451	M-511, M-521, M-531	M-605	M6 / 25 mm	1/4-20/1"
M-403.AP1 + M-06x.HP	x	M-413.AP1 + M-06x.HP	M-06x.HP	M-06x.HP	x	M-06x.HP	M-06x.HP
x	x	x	x	x	x	x	x
M-403.AP1 + M-105.AP	M-105.AP	M-413.AP1 + M-105.AP	M-105.AP	M-105.AP	M-605.11	M-105.HP/ M-105.HP1	M-105.HP/ M-105.HP1
x	M-009.30 + M-009.10	x	x	x	x	x	x
M-403.AP1 M-110.01	M-110.01	M-413.AP1 M-110.01	M-110.01	M-110.01	M-110.01	M-110.01	M-110.01
x	x	x	x	x	x	x	x
M-403.AP1 M-110.01	M-110.01	M-413.AP1 M-110.01	M-110.01	M-110.01	M-110.01	M-110.01	M-110.01
x	x	x	x	x	x	x	x
M-403.AP1 M-110.01	M-110.01	M-413.AP1 M-110.01	M-110.01	M-110.01	M-110.01	M-110.01	M-110.01
x	x	x	x	x	x	x	x
M-403.AP1 M-110.01	M-110.01	M-413.AP1 M-110.01	M-110.01	M-110.01	M-110.01	M-110.01	M-110.01
x	x	x	x	x	x	x	x
M-403.AP1	x	M-413.AP1	n/r	M-105.AP	M-605.11	M-126.80	M-126.80
M-403.AP1 M-125.90	x	M-413.AP1 M-125.90	M-125.90	M-125.90	x	x	x
n/r	x	x	M-403.AP3	M-403.AP3	x	M-403.AP1	M-403.AP1
M-403.AP2	x	x	x	x	x	x	x
x	M-592.00	x	x	M-400.AP	x	x	x
x	n/r	x	x	M-592.00	x	M-490.MS	M-490.MS
x	x	n/r	M-403.AP3	M-403.AP3	x	M-413.AP1	M-413.AP1
x	x	M-413.AP2	x	x	x	x	x
x	x	x	x	n/r	x	M-590.00	M-590.00
x	x	x	x	M-592.10	x	x	x
x	M-110.01	x	x	M-110.01	n/r	M-110.01	M-110.01
x	x	x	x	x	x	x	x

n/r.: no adapter required;
 x: combination not possible;
 *For M-061/M-062 no combinations possible
 **Versions with DC-Mike Drive require angle bracket
 M-053.20

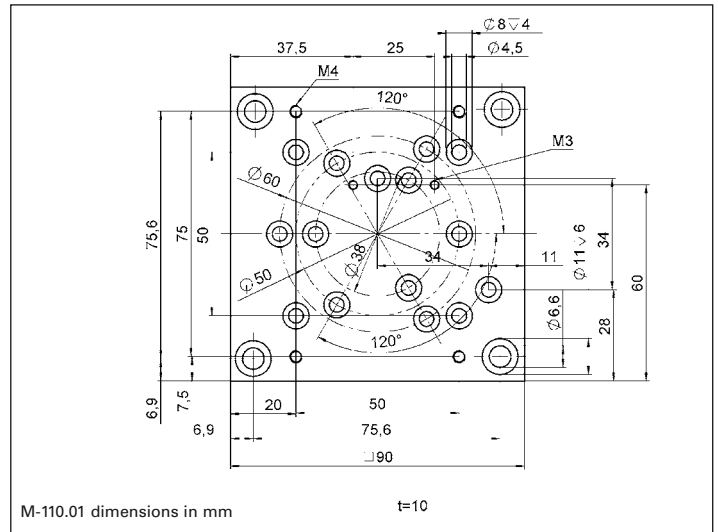
Accessories

Mounting Adapters for M-110, M-111, M-112 Stages

M-110.01

Adapter plate for mounting of M-110 and M-111 (F-130) and M-605 series stages on honeycomb tables (metric & imperial).

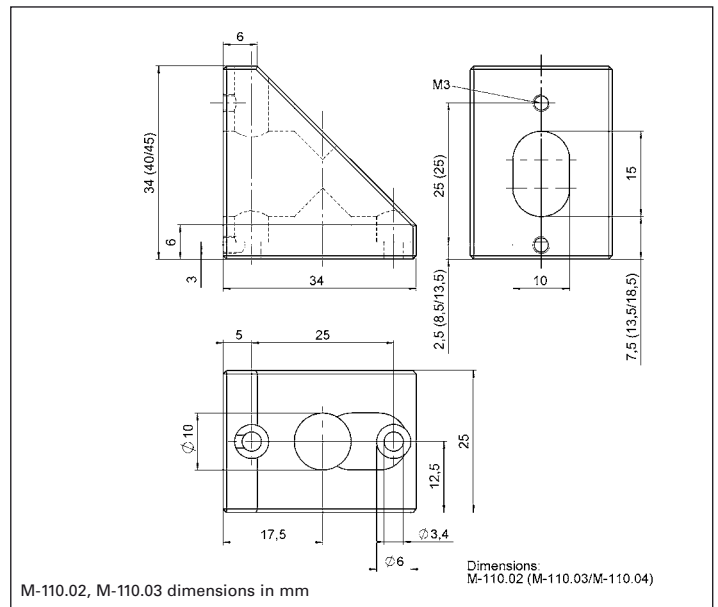
Material: Al



M-110.02, M-110.03, M-110.04

Z-axis mounting bracket for vertical mount of M-110 (M-110.02), M-111 (M-110.03) and M-112 (M-110.04) series stages on M-110, M-111 and M-112 series stages.

Material: Al

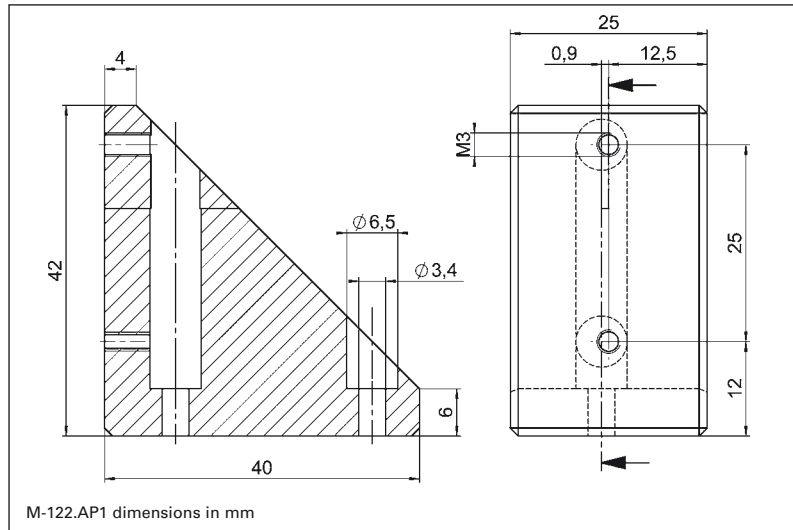


Mounting Adapters for M-122 Stages

M-122.AP1

Mounting bracket for vertical mount of M-122 on M-110, M-111, M-112 and M-122 stages.

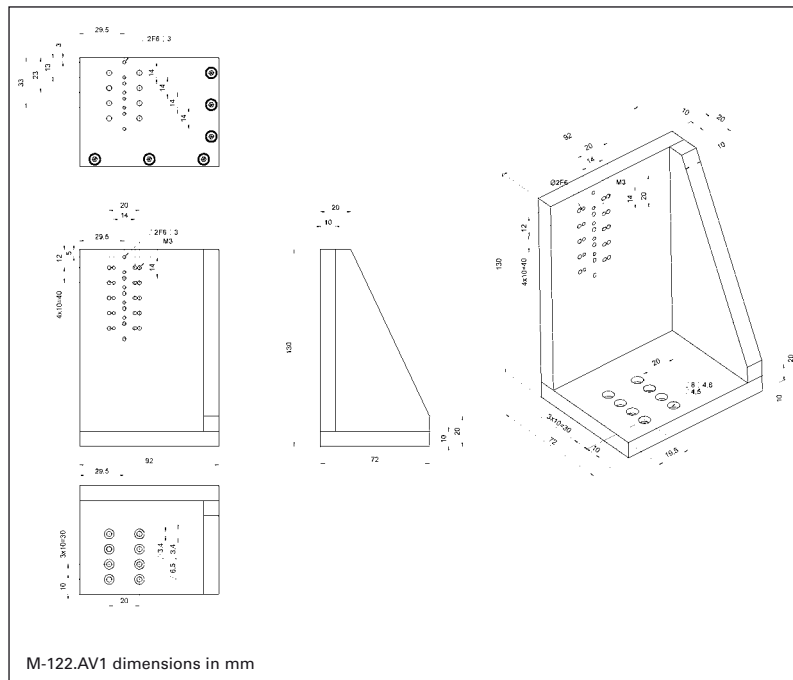
Material: Al



M-122.AV1

Z-axis mounting bracket for vertical mount of M-122 stages.

Material: Al



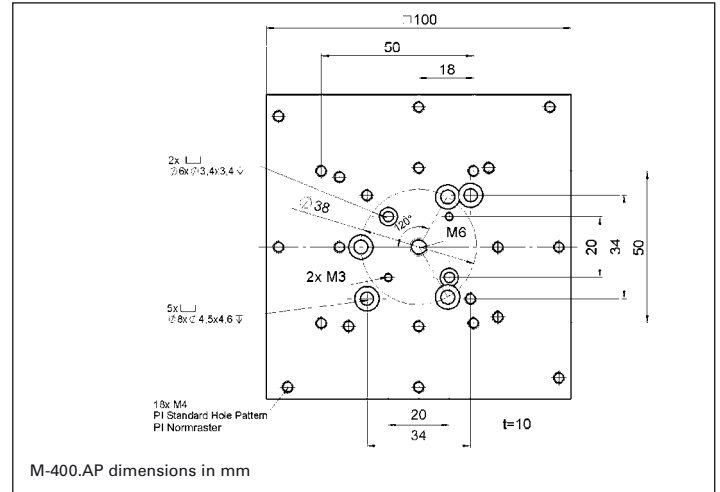
Accessories

Mounting Adapters for Honeycomb Tables and M-405, M-410 and M-415 Stages

M-400.AP

Adapter plate for mounting stages w/o PI standard hole pattern (e.g. M-405, M-410 and M-415) on stages with PI standard hole pattern and vice versa.

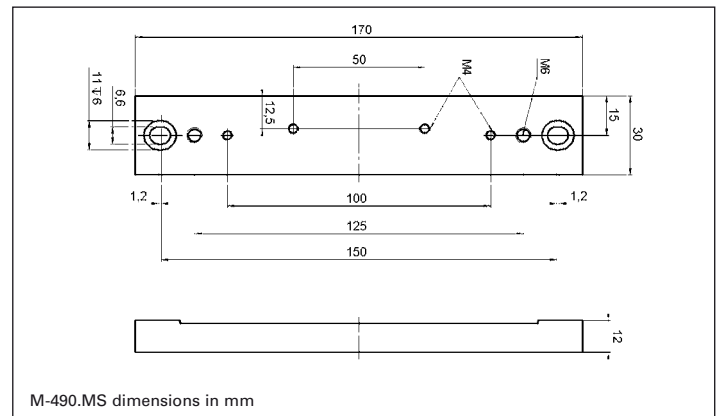
Material: Al; Mass: 0.25 kg



M-490.MS

Set of two for mounting M-405, M-410 and M-415 stages on honeycomb table tops etc. (metric and imperial).

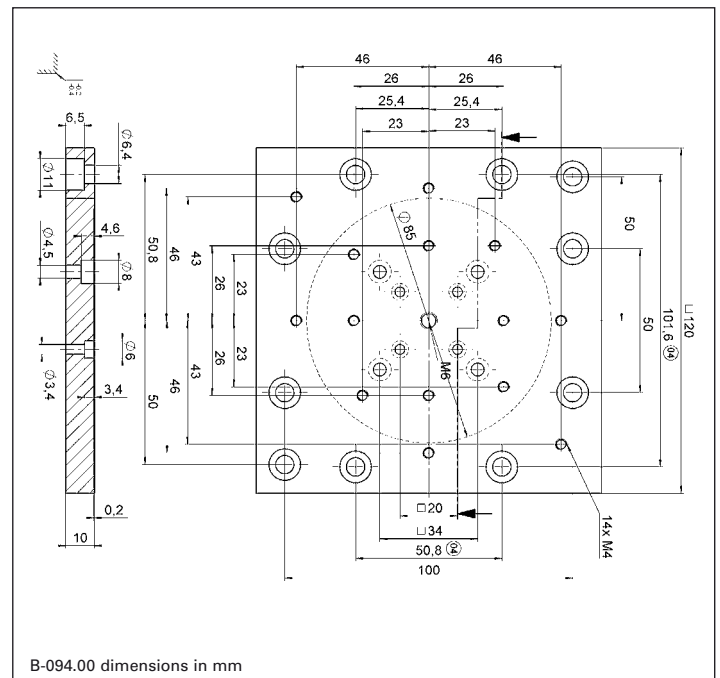
Material: Al; Mass: 0.4 kg



B-094.00

Adapter plate for mounting several translation stages and rotary stages on honeycomb tables (M 6 on 25 mm spacing).

Material: Al

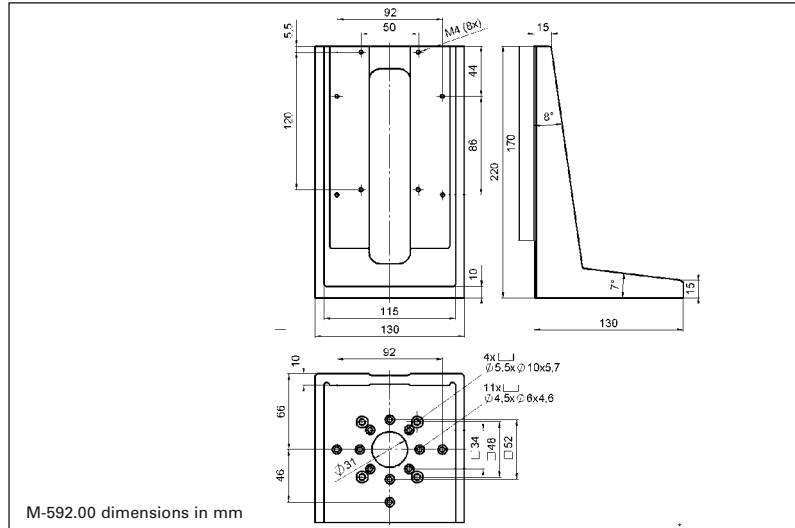


Mounting Adapters for M-405, M-410, M-415, M-511, M-521 and M-531 Stages

M-592.00

Z-axis mounting bracket for vertical mount of M-405, M-410 and M-415 stages.

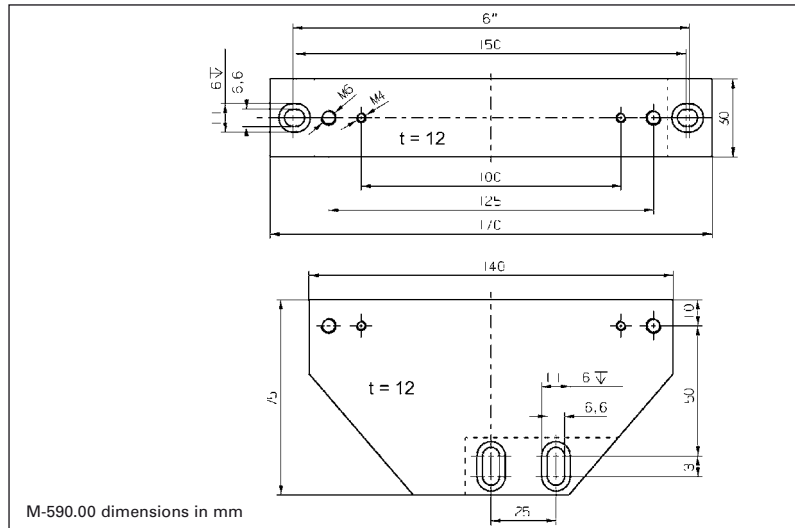
Material: Al; Mass: 1.1 kg



M-590.00

Three-point support set for mounting M-511, M-521 and M-531 stages on honeycomb table tops etc. (metric and imperial).

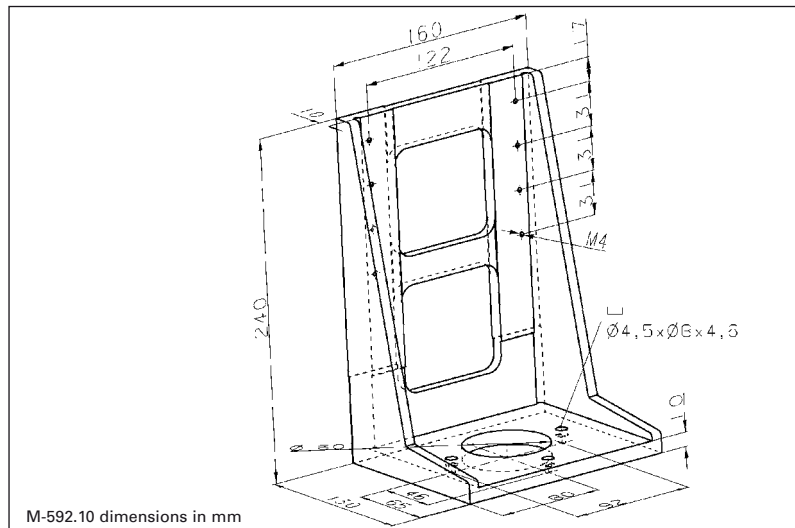
Material: Al; Mass: 0.4 kg



M-592.10

Z-axis mounting bracket for vertical mount of M-511, M-521 and M-531 stages.

Material: Al; Mass: 1.5 kg



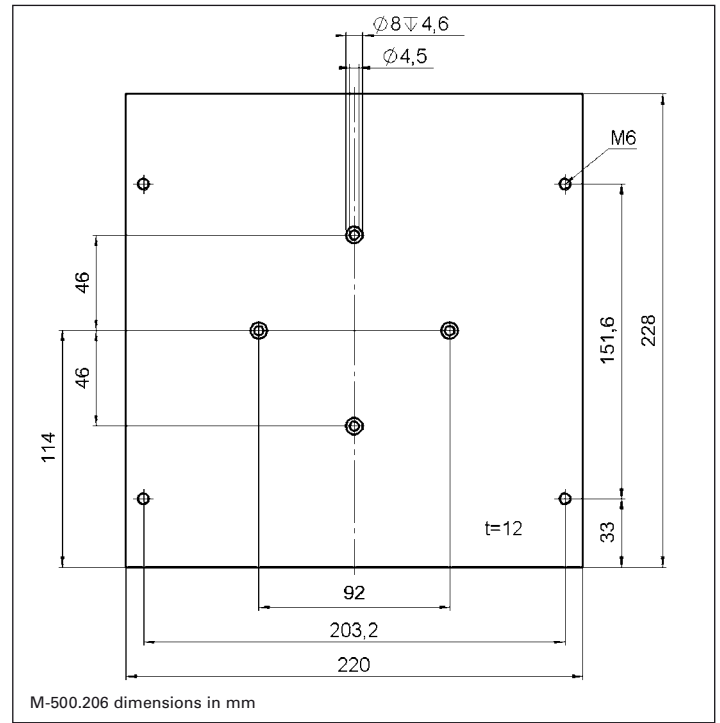
Accessories

Mounting Adapters for M-511, M-521 and M-531 Stages

M-500.206

Adapter plate for mounting F-206 MicroMotion Robots on M-511, M-521 and M-531 translation stages.

Material: Al



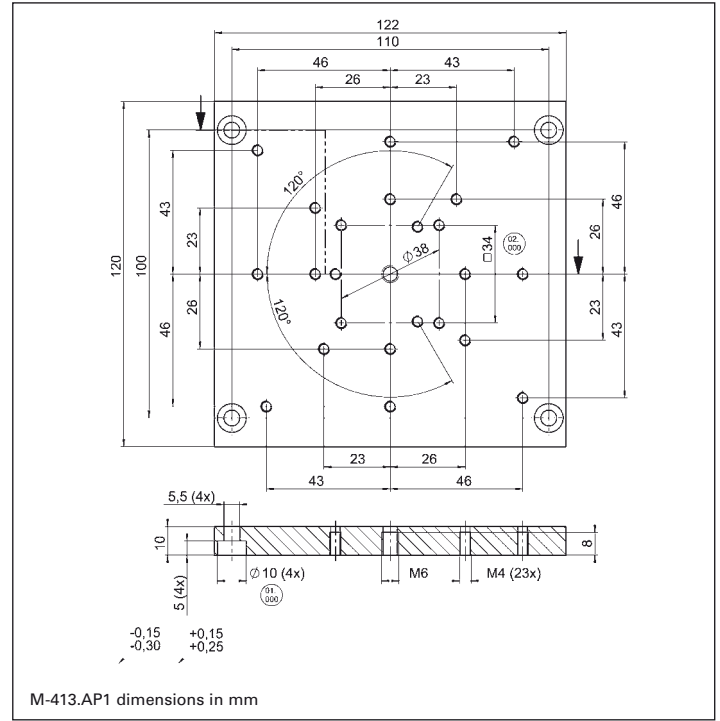
Accessories

Mounting Adapters for M-413 / M-414 Stages

M-413.AP1

Adapter plate for horizontal mount of stages with PI standard hole pattern and vertical mount of rotation stages on M-413/M-414 stages.

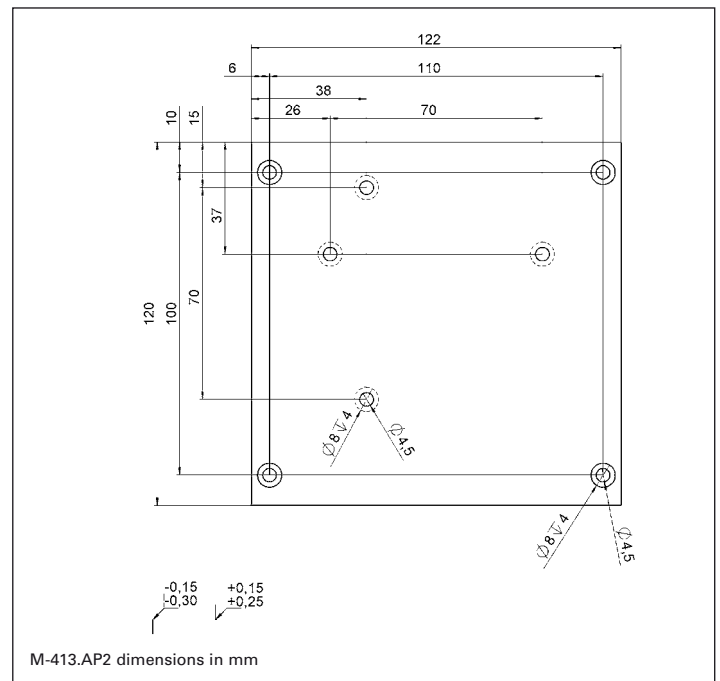
Material: Al



M-413.AP2

Adapter bracket for vertical mount of M-413/M-414 on M-413/M-414 stages.

Material: Al



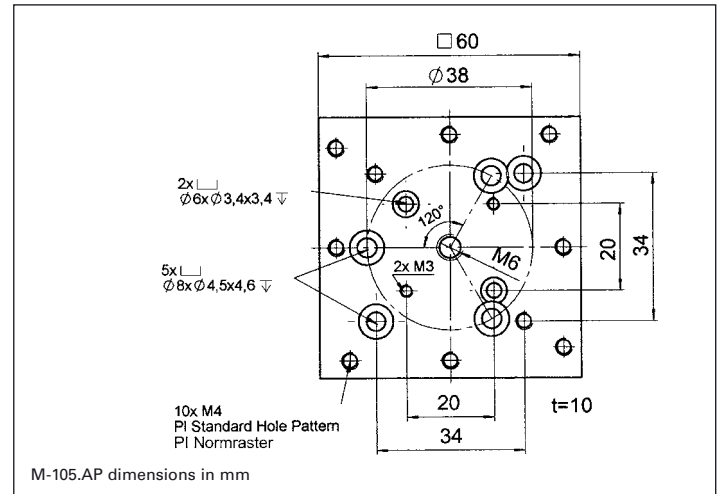
Accessories

Mounting Adapters for M-105 / M-106 and M-126 Stages

M-105.AP

Adapter plate for mounting stages w/o PI standard hole pattern (M-105/M-106, M-126 etc.) on stages with PI standard hole pattern and vice versa.

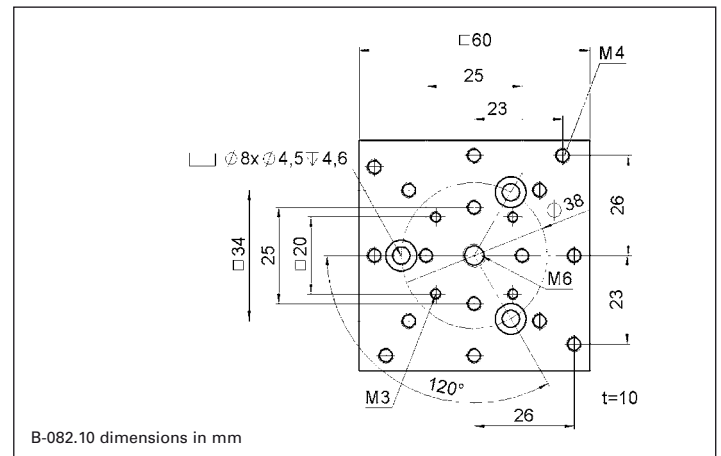
Material: Al, Weight: 0.09 kg



B-082.10

Adapter plate for horizontal mount of M-105/M-106 stages on stages with PI standard hole pattern (e.g. M-011, M-014).

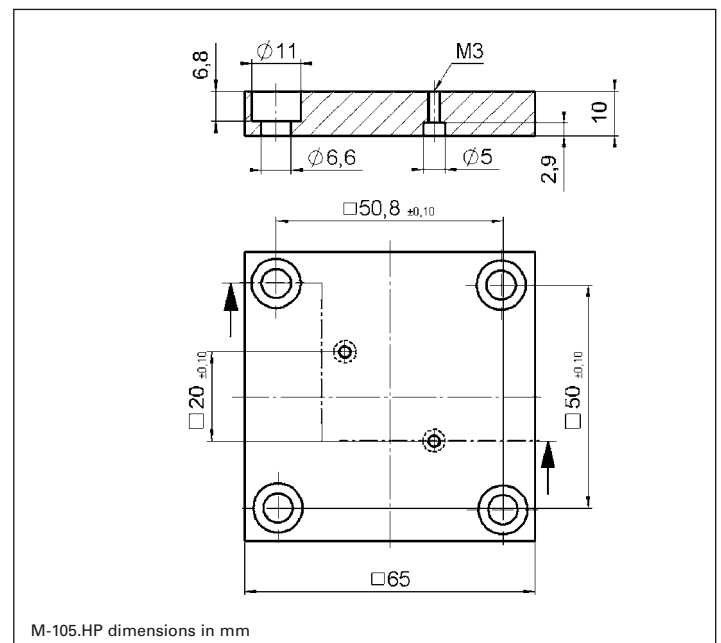
Material: Al, Weight: 0.14 kg



M-105.HP

Adapter plate. For mounting M-105 stages (and F-110) on honeycomb tables (metric & imperial).

Material: Al

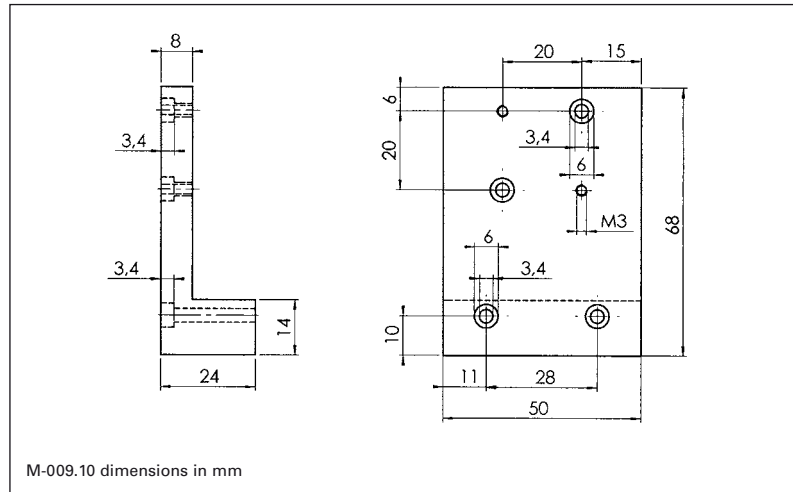


Mounting Adapters for M-105 / M-106 Stages

M-009.10

Z-axis mounting bracket for vertical mount of M-105/106 stages on M-105/106 stages (attaches to side of M-105).

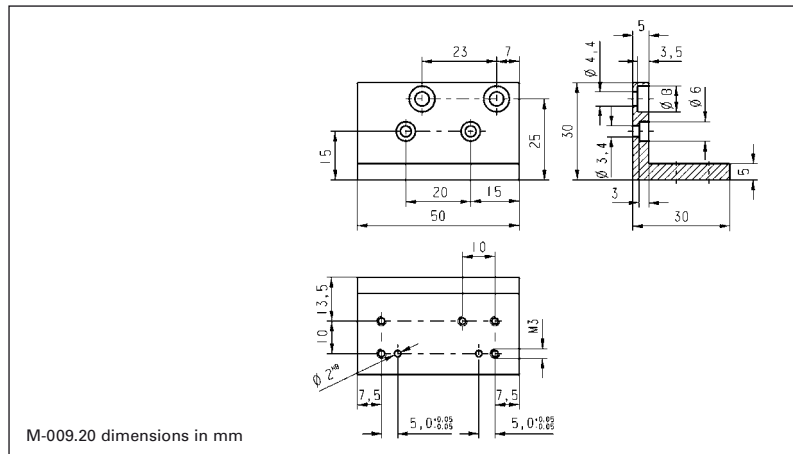
Material: Al; Weight: 0.1 kg



M-009.20

Mounting bracket for mounting P-280 PZT block actuators or F-010 fiber holders on vertically mounted M-105 / M-106 stages.

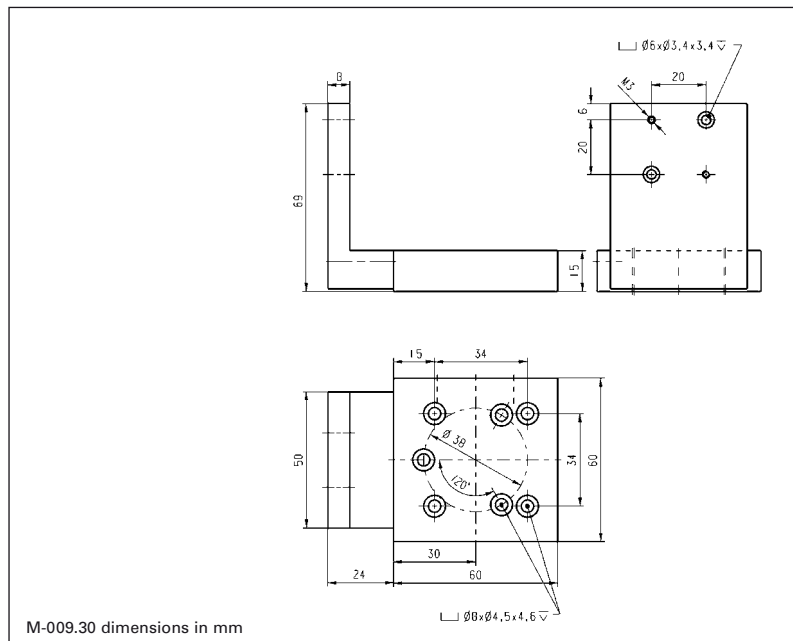
Material: Al; Weight: 0.04 kg



M-009.30

Z-axis adapter plate for vertical mount of M-105/6 stages on stages with PI Standard Hole Pattern (requires M-009.10)

Material: Al; Weight: 0.14 kg



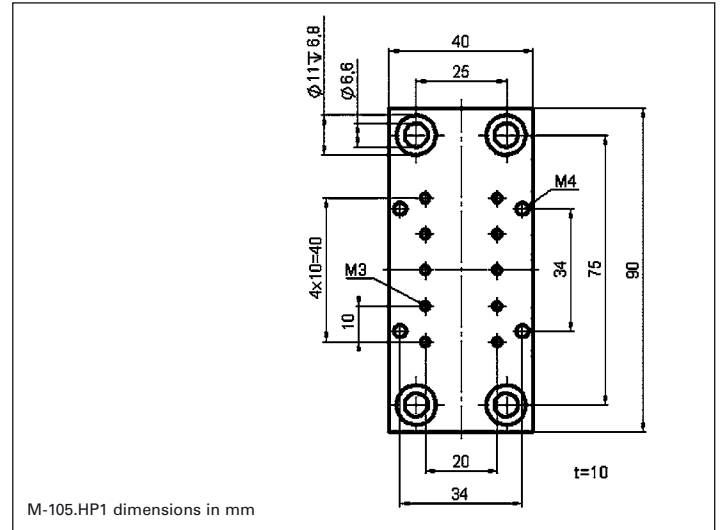
Accessories

Mounting Adapters for M-105 Stages

M-105.HP1

Adapter plate. For mounting M-105 stages (and F-110) on honeycomb tables (metric & imperial).

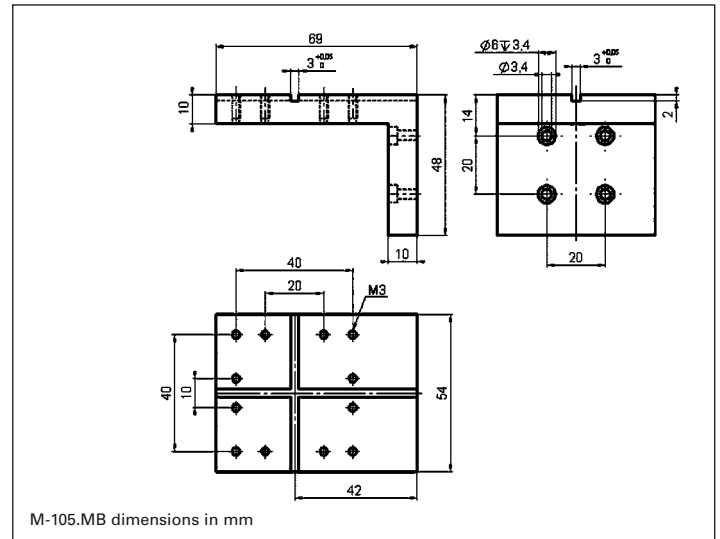
Material: Al



M-105.MB

Mounting bracket for mounting accessories (e.g. F-603 objective holders) on M-105 stages.

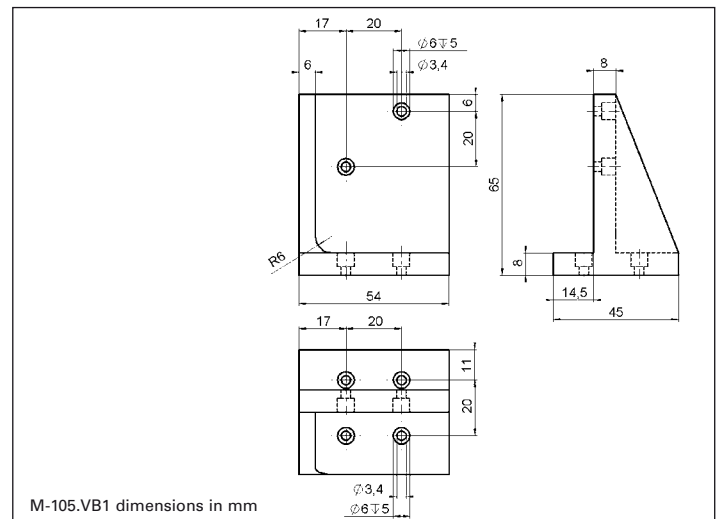
Material: AL; Mass: 1.46 kg



M-105.VB1

Z-axis mounting bracket for vertical mount of M-105/M-106 stages on M-105/M-106 stages (attaches to top of M-105).

Material: Al; Mass: 0.39 kg

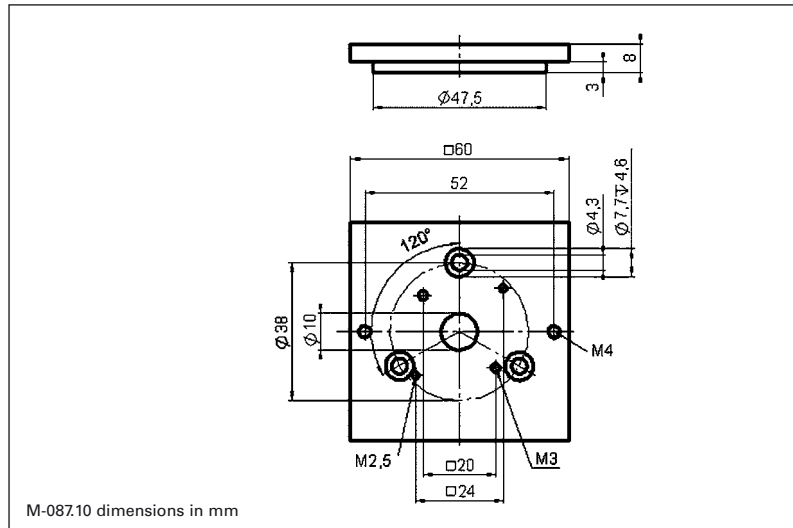


Mounting Adapters for M-037, M-038 Rotation Stages

M-087.10

Adapter plate for horizontal mounting of translation stages (e. g. M-105) on M-035 and M-037 rotation stages.

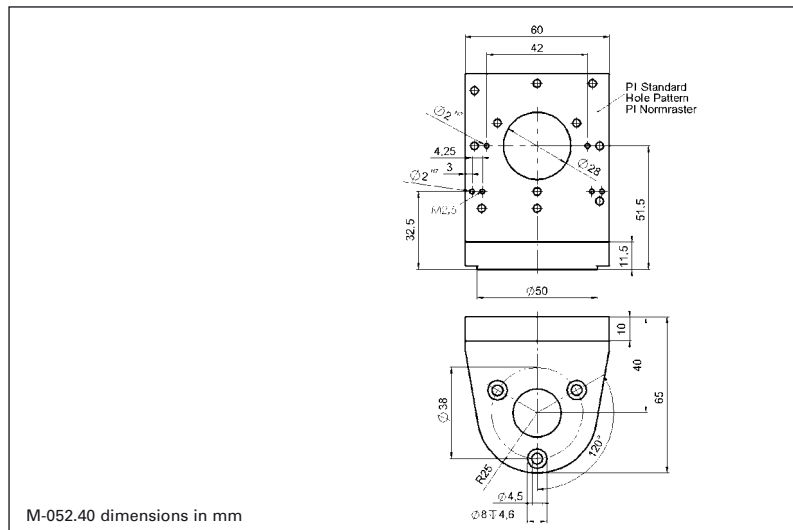
Material: Al; Mass: 0.07 kg



M-052.40

Z-axis mounting bracket for vertical mount of M-011, M-035, M-037 and M-041/42 on M-035 and M-037 rotation stages.

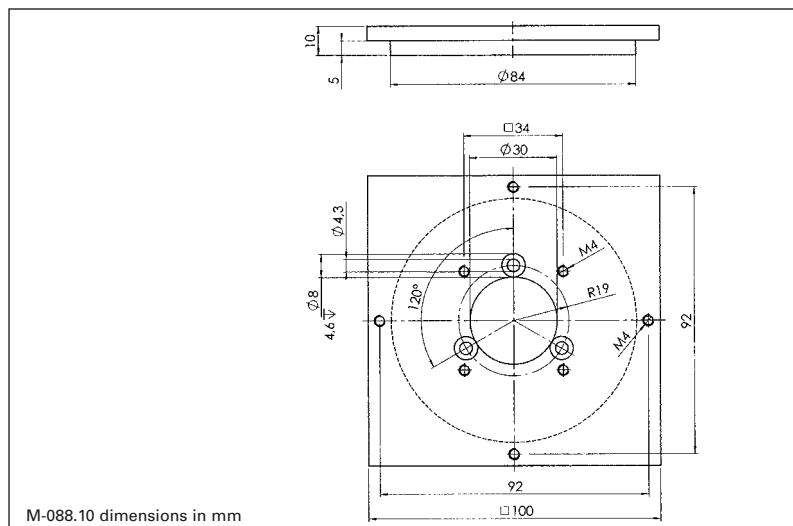
Material: Al; Mass: 0.19 kg



M-088.10

Adapter plate for horizontal mounting of translation stages on M-036 rotation stage.

Material: Al; Mass: 0.2 kg



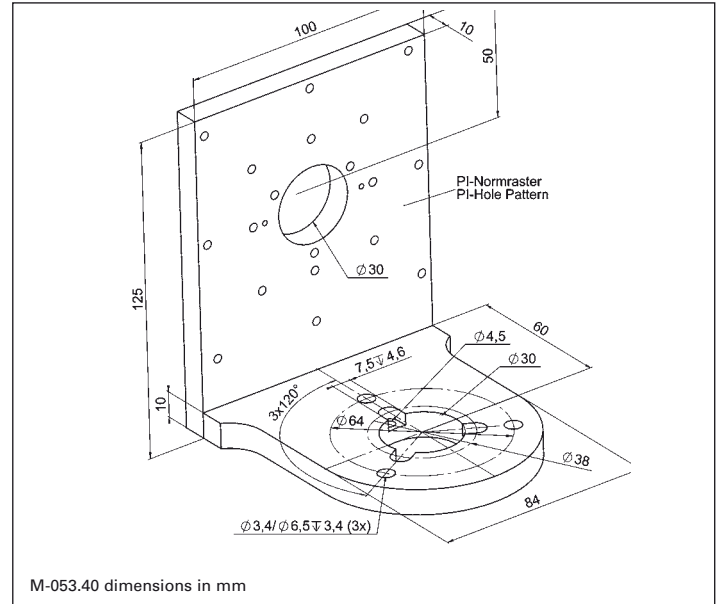
Accessories

Mounting Adapters for M-037, M-038 Rotation Stages

M-053.40

Z-axis mounting bracket for vertical mount of M-014 (manual versions), M-036, M-038 and M-043/M-044 on M-036 and M-038 rotation stages.

Material: Al; Mass: 0.5 kg

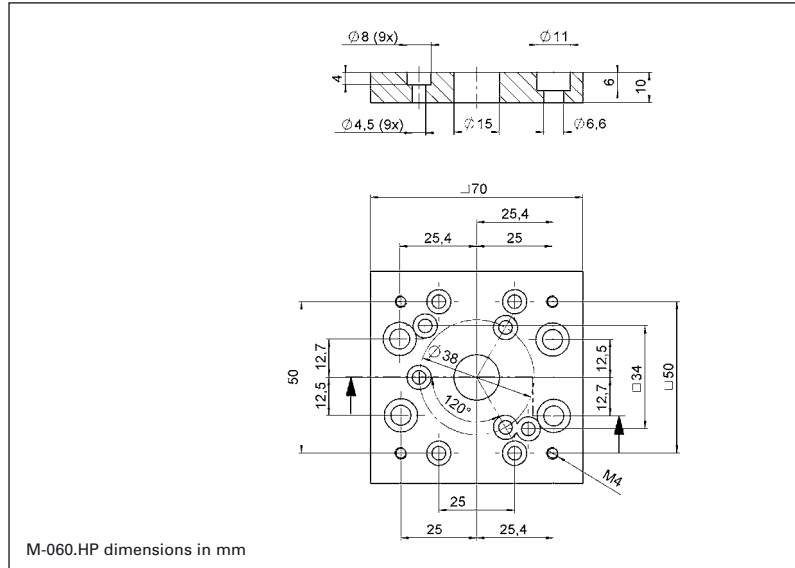


Mounting Adapters for M-060, M-061 and M-062 Stages

M-060.HP

Adapter plate for horizontal mount of M-06x stages on M-035, M-036, M-060, M-451, M-505 and M-5x1 stages.

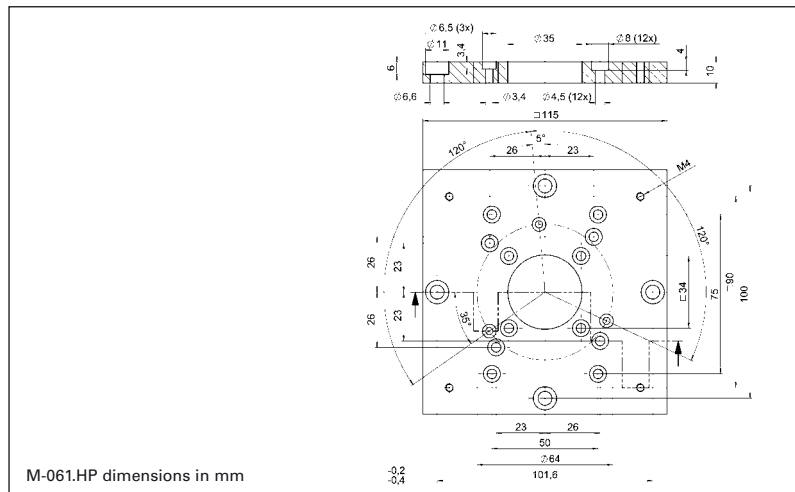
Material: Al



M-061.HP

Adapter plate for horizontal mount of M-06x stages on M-035, M-036, M-038, M-060, M-451, M-505 and M-5x1 stages.

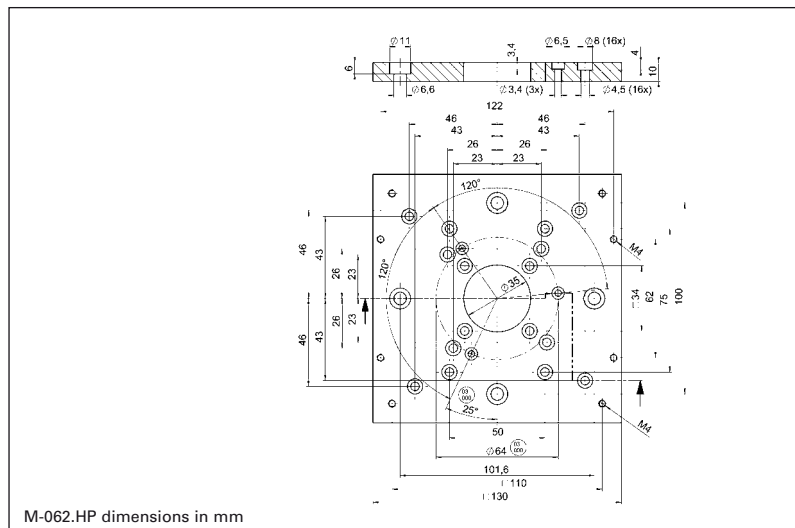
Material: Al



M-062.HP

Adapter plate for horizontal mount of M-06x stages on M-035, M-036, M-038, M-060, M-451, M-505 and M-5x1 stages.

Material: Al



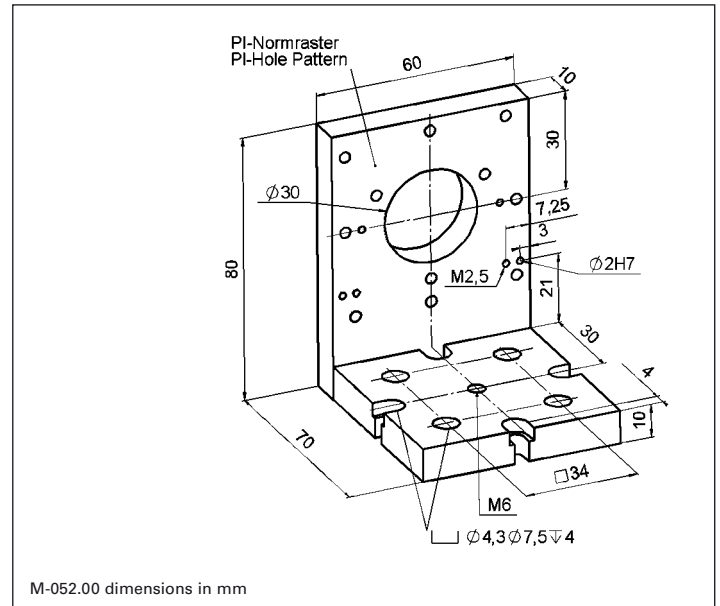
Accessories

Mounting Brackets for M-011, M-035, M-037, M-041, M-042 Stages

M-052.00

Z-axis mounting bracket for vertical mount of M-011, M-035, M-037 and M-041/42 on stages with PI standard hole pattern.

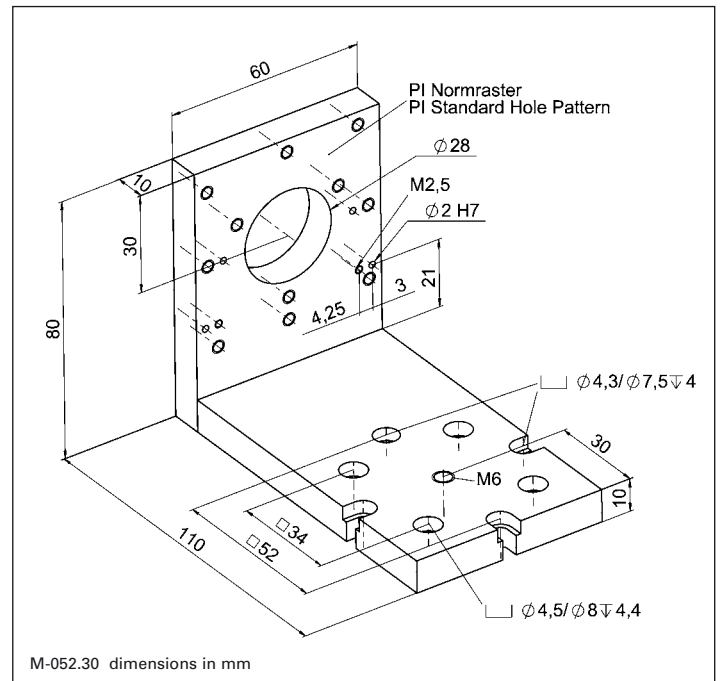
Material: Al; Mass: 0.22 kg



M-052.30

Z-axis mounting bracket (laterally extended M-052.00) for vertical mount of M-011, M-035, M-037 and M-041/42 on stages with PI standard hole pattern.

Material: Al; Mass: 0.4 kg

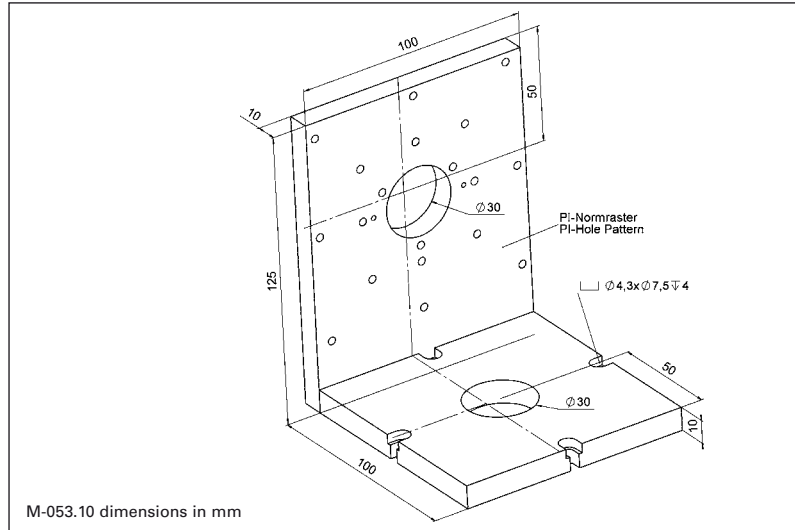


Mounting Brackets for M-014, M-036, M-043, M-044 Stages

M-053.10

Z-axis mounting bracket for vertical mount of M-014 (non-motorized), M-036 and M-043/44 on stages with PI standard hole pattern.

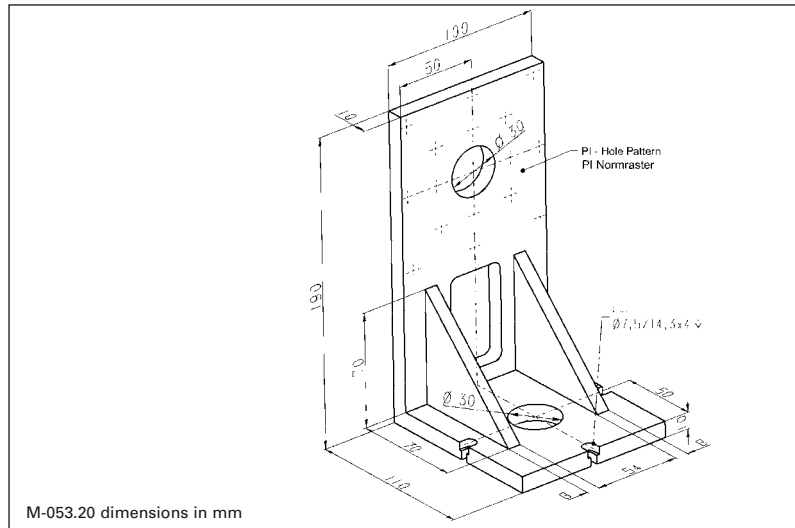
Material: Al; Mass: 0.6 kg



M-053.20

Z-axis mounting bracket (vertically extended M-053.10) for vertical mount of M-014 (motorized), M-036 and M-043/44 on stages with PI standard hole pattern.

Material: Al; Mass: 0.7 kg



M-053.30

Z-axis mounting bracket (laterally extended M-053.10) for vertical mount of M-014 (non-motorized), M-036 and M-043/44 on stages with PI standard hole pattern.

Material: Al; Mass: 0.7 kg

