

Not authorized for use and not available in the USA.

E-821.00 Module for Energy Harvesting

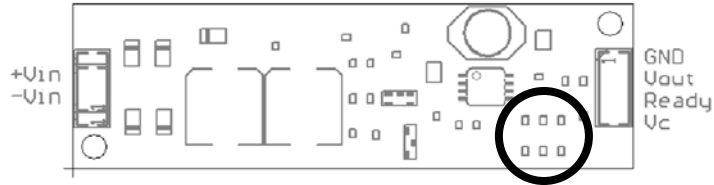


Fig. 1: E-821.00 module; location of the soldering points for output voltage selection marked by circle

Input Signals of the E-821.00 Module

2-pin Molex PicoBlade connector

Pins	Values	Notes
+V _{in}	max. 40.0 V,	Input voltage from DuraAct patch transducer, both AC or DC possible
-V _{in}	internal limit 15 V	

Output Signals of the E-821.00 Module

4-pin Molex PicoBlade connector

Pins	Values	Notes
GND	-	-
V _{out}	3.3 V	Output voltage, regulated Can be changed to 1.8 V or 5.0 V by relocating the 0-ohm solder bridge between the corresponding soldering points.
Ready	0 V or 9 to 12 V	Output voltage which indicates the charge state of the capacitor of the E-821.00: <ul style="list-style-type: none"> • 0 V if the charge state of the capacitor is not sufficient to output V_{out} • 9 to 12 V if the capacitor outputs V_{out} Output impedance: 1 kOhm Can be used to switch the connected load on or off.
V _c	5.0 to 40.0 V	Rectified output voltage of storage capacitor

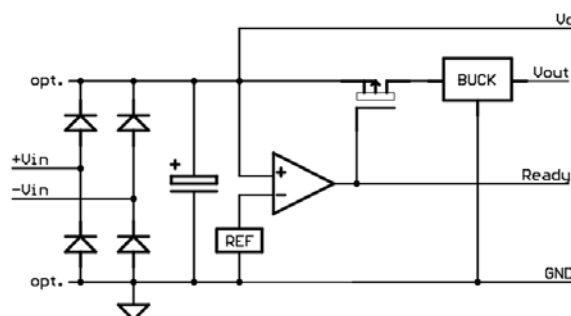
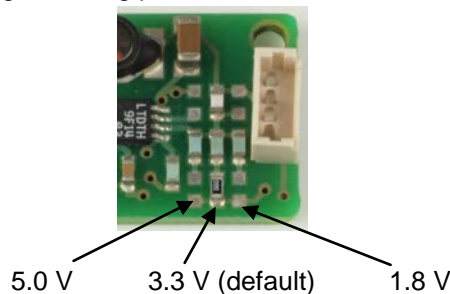


Fig. 2: Block diagram for E-821.00 module