

M-230

High-Resolution Closed-Loop DC-Mike & Stepper Actuators

>> Click <http://www.pi.ws/fwd/Micropositioning> for the Latest Specs on these Products



M-230.10, M-230.25, high-resolution DC-Mike actuators, 10 and 25 mm travel range

- 10 & 25 mm Travel Range
- 0.05 μm Minimum Incremental Motion
- Non-Rotating Tip
- Velocity to 2 mm/sec.
- Closed-Loop DC Motors and Stepper Motors
- Compatible with Leading Industrial Motion Controllers
- Integrated Hall-Effect Origin and Limit Switches
- Front Mount or Clamp Mount
- >5,000 Hours MTBF

M-230 are ultra-high-resolution linear actuators providing linear motion up to 25 mm with sub-micron resolution in a compact package. They consist of a micrometer with non-rotating tip driven by a 2-phase stepper motor or a closed-loop DC motor/gearhead combination with motor-shaft-mounted, high-resolution encoder (2048 counts/rev.).

Non-Rotating Tip

Compared to conventional rotating-tip micrometer drives, the non-rotating-tip design offers several advantages:

- Elimination of torque-induced positioning errors
- Elimination of sinusoidal motion errors
- Elimination of wear at the contact point
- Elimination of tip-angle-dependent wobble

M-230 actuators provide a cost-effective solution for heavier-duty industrial and OEM environments. They feature extremely low-stiction, low-friction construction, allowing for minimum incremental motion as low as 50 nanometers and speeds up to 2 mm/sec.

Non-Contact Limit and Origin Switches

Integrated, non-contact, high-precision Hall-effect origin and limit switches protect your equipment and increase versatility in automation applications.

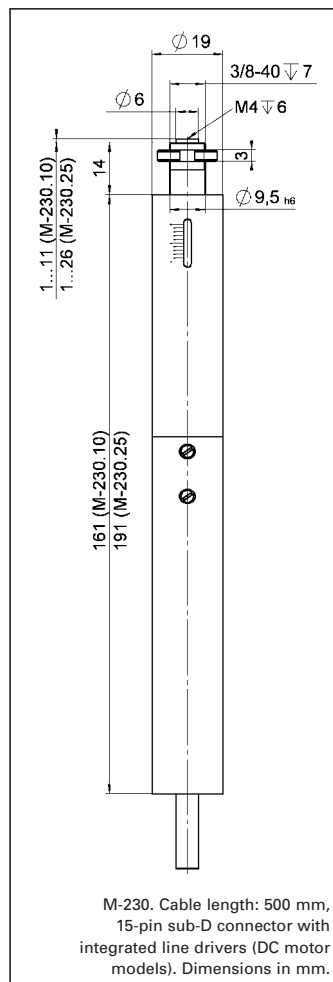
Integrated Line Drivers

M-230 actuators include an integral 0.5 m cable with 15-pin sub-D connector and a 3 m extension cable. On the DC-servo versions, the connector

features integrated line drivers for cable lengths up to 10 meters between actuator and controller.

A screw-in ball tip and a flat tip are included.

For higher loads and travel ranges refer to the M-235 on page 7-82.



M-230. Cable length: 500 mm, 15-pin sub-D connector with integrated line drivers (DC motor models). Dimensions in mm.

Ordering Information

M-230.10
DC-Mike Actuator, 10 mm, Limit Switches

M-230.25
DC-Mike Actuator, 25 mm, Limit Switches

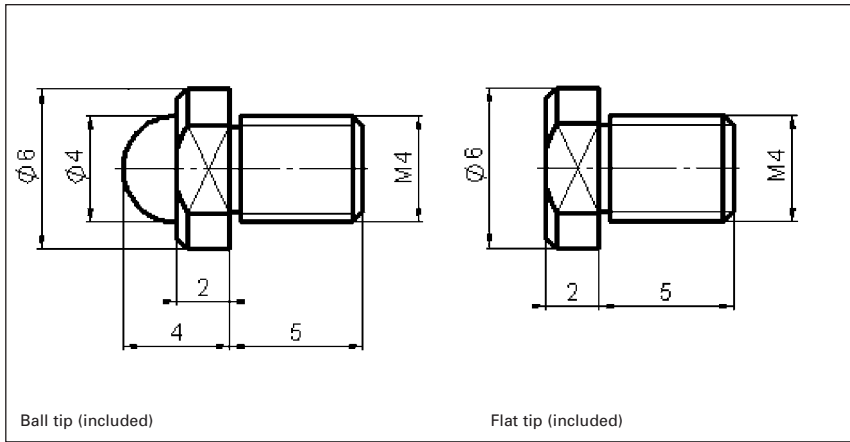
M-230.10S
Stepper-Mike Actuator, 10 mm, Limit Switches

M-230.25S
Stepper-Actuator, 25 mm, Limit Switches

Ask about custom designs!

Application Examples

- Photonics packaging
- Fiber alignment
- Quality control
- Test equipment
- Metrology



Technical Data

Models	M-230.10	M-230.25	M-230.10S	M-230.25S	Units	Notes see page 7-106
Travel range	10	25	10	25	mm	
Design resolution	0.0046	0.0046	0.0012	0.0012	μm	A3
Min. incremental motion	0.05	0.05	0.05	0.05	μm	A4
Unidirectional repeatability	0.1	0.1	0.1	0.1	μm	
Backlash	2	2	2	2	μm	
Max. velocity	1.5	1.5	2	2	mm/s	
Max. push/pull force	70	70	45**	45**	N	
Max. lateral force	30	20	30	20	N (at tip)	
Encoder resolution	2048	2048	-	-	counts/rev.	
Motor resolution	-	-	1200*	1200*	steps/rev.	
Drivescrew pitch	0.4	0.4	0.4	0.4	mm/rev.	
Gear ratio	42.92:1	42.92:1	28.44444:1	28.44444:1		
Nominal motor power	2	2	*	*	W	
Motor voltage	12	12	24*	24*	V	
Origin and limit switches	Hall-Effect	Hall-Effect	Hall-Effect	Hall-Effect		
Weight	0.30	0.35	0.30	0.35	kg	
Recommended motor controllers	C-843, C-848, C-862	C-843, C-848, C-862	C-600, C-630	C-600, C-630		D2

C-815.38 motor cable included: 3 m, sub-D, 15/15 pin (m/f).
 * 2-phase stepper, 24 V chopper voltage, max. 250 mA / phase, 1,200 microsteps with C-600, C-630 controllers
 ** at up to 1 mm/sec.

Piezo Actuators

Nanopositioning & Scanning Systems

Active Optics / Steering Mirrors

Tutorial: Piezo-electrics in Positioning

Capacitive Position Sensors

Piezo Drivers & Nanopositioning Controllers

Hexapods / Micropositioning

Photonics Alignment Solutions

Motion Controllers

Ceramic Linear Motors & Stages

Index