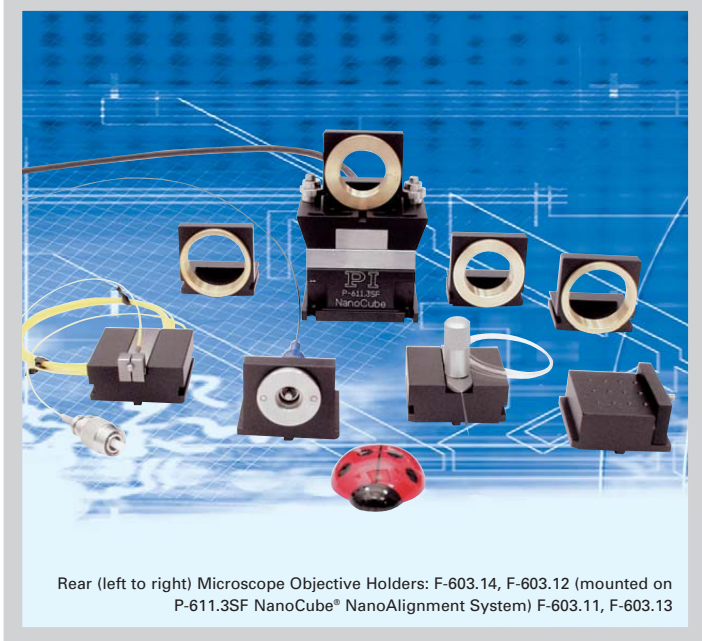


F-603

Fiber, Objective and Waveguide Holders

>> Click <http://www.pi.ws/fwd/Photonics> for the Latest Specs on these Products



Rear (left to right) Microscope Objective Holders: F-603.14, F-603.12 (mounted on P-611.3SF NanoCube® NanoAlignment System) F-603.11, F-603.13

- Mount on a Variety of PI Alignment Systems
- Precision Machined from High-Strength Aluminum/Brass

The F-603 series component holders for fiber optic applications can be combined with the following Micro- & Nano-Positioning systems from PI:

- F-206 6D-Hexapod-Alignment System
- F-130 and F-131 Alignment Systems
- P-611.30F and P-611.3SF NanoCube® NanoAligners
- A Variety of Combinations of NanoCubes® with Other MicroPositioning Systems

All adapters are equipped with a 3-mm-wide tongue that fits in a slot machined into the platform of the positioning system.

M3 capscrews and miniature cleats supplied with each F-603 adapter are used to fasten these accessories quickly.

Ordering Information

F-603.11
Microscope Objective Holder
W0.8 x 1/36"

F-603.12
Microscope Objective Holder
M19 x 0.75

F-603.13
Microscope Objective Holder
M25 x 0.75

F-603.14
Microscope Objective Holder
M26 x 0.75

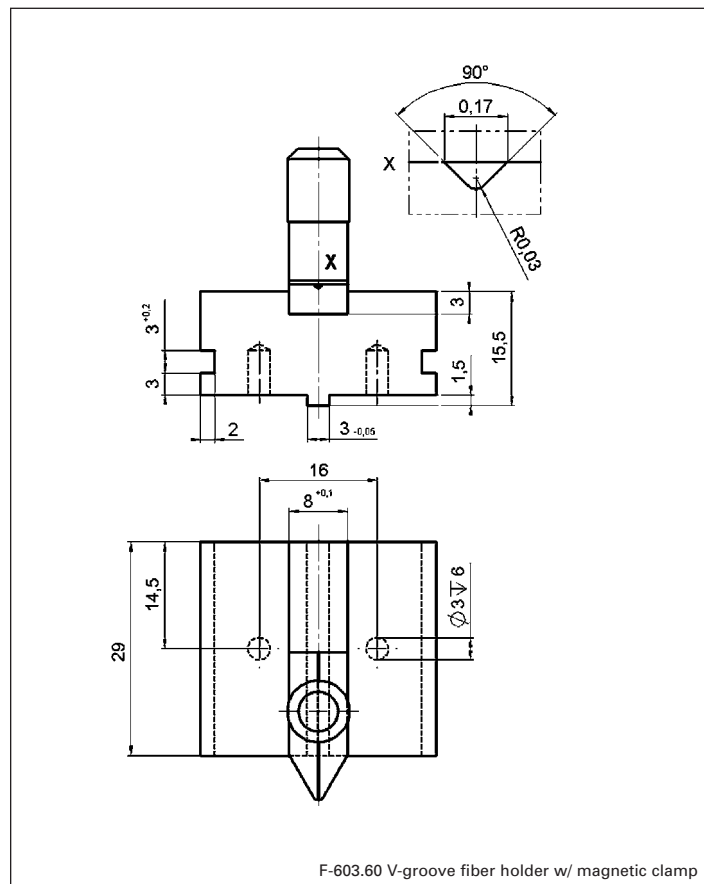
F-603.20
Vacuum Waveguide Mount

F-603.21
Fiber Holder for FC-Connector

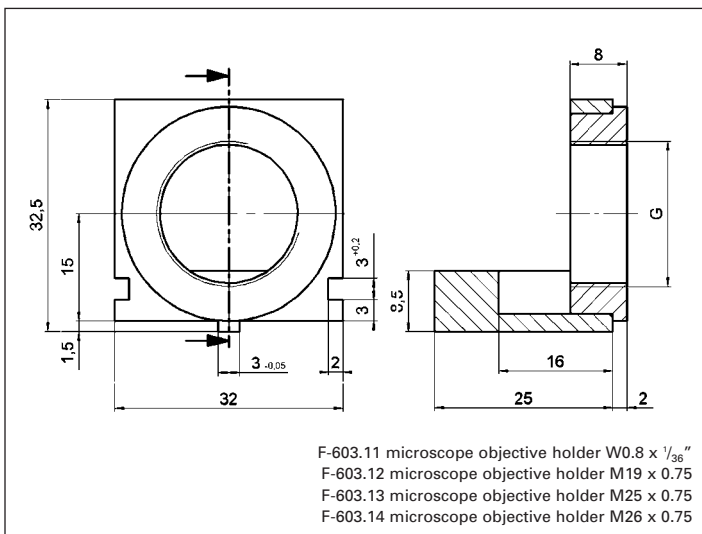
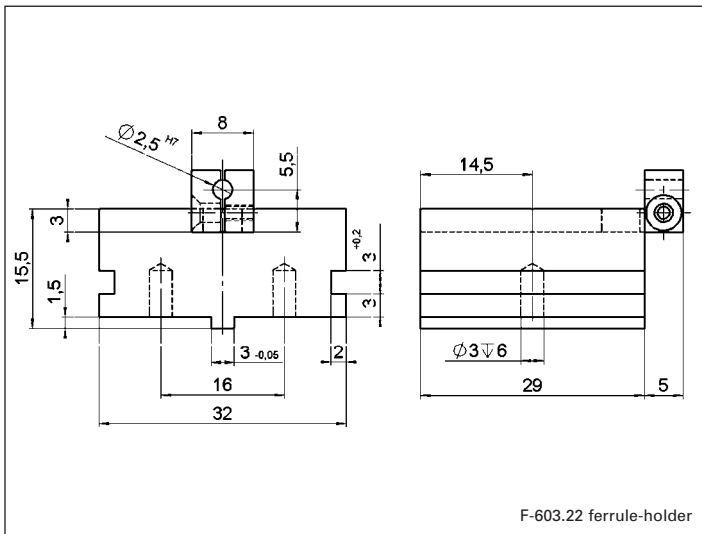
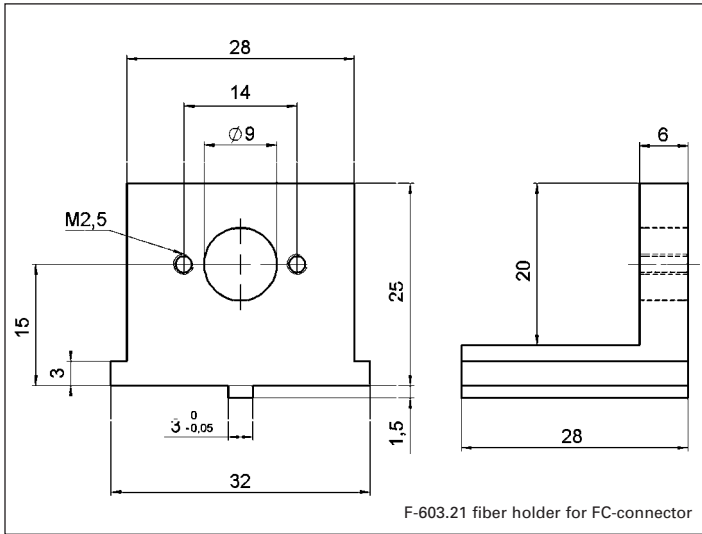
F-603.22
Ferrule Holder

F-603.60
V-Groove Fiber Holder with
Magnetic Clamp

Ask about custom designs!



F-603.60 V-groove fiber holder w/ magnetic clamp



- Piezo Actuators
- Nanopositioning & Scanning Systems
- Active Optics / Steering Mirrors
- Tutorial: Piezo-electrics in Positioning
- Capacitive Position Sensors
- Piezo Drivers & Nanopositioning Controllers
- Hexapods / Micropositioning
- Photonics Alignment Solutions**
- Motion Controllers
- Ceramic Linear Motors & Stages
- Index